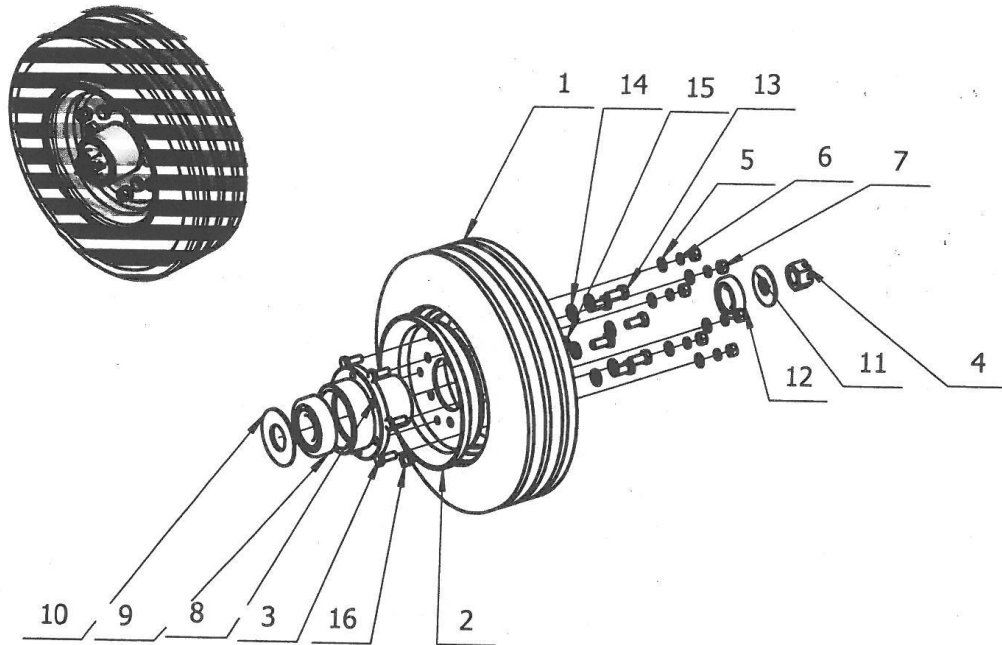


BAGGAGE TROLLEY



BAGGAGE TROLLEY

BT0705D-09-00



Tire assembly				
Item	Part Number	Description	Qty	Remark
1		Tire	1	4.00-8
2		Steel Ring	2	4.00-8
3		Hexed Bolt	6	M10X25
4		Hexed Notch Nut	1	M24X1.5
5		Bushing	6	10
6		Shring Bushing	6	M10
7		Hexed Nut	6	M10
8		Wheel Hub	1	
9		Bearing	1	60308
10		Bushing A	1	
11		Bushing B	1	
12		Bearing	1	30206
13		Wheel Bolt	6	M12X25
14		Busing	6	12
15		Shring Bushing	6	M12X25
16		Greasing Nipple	1	M10X1

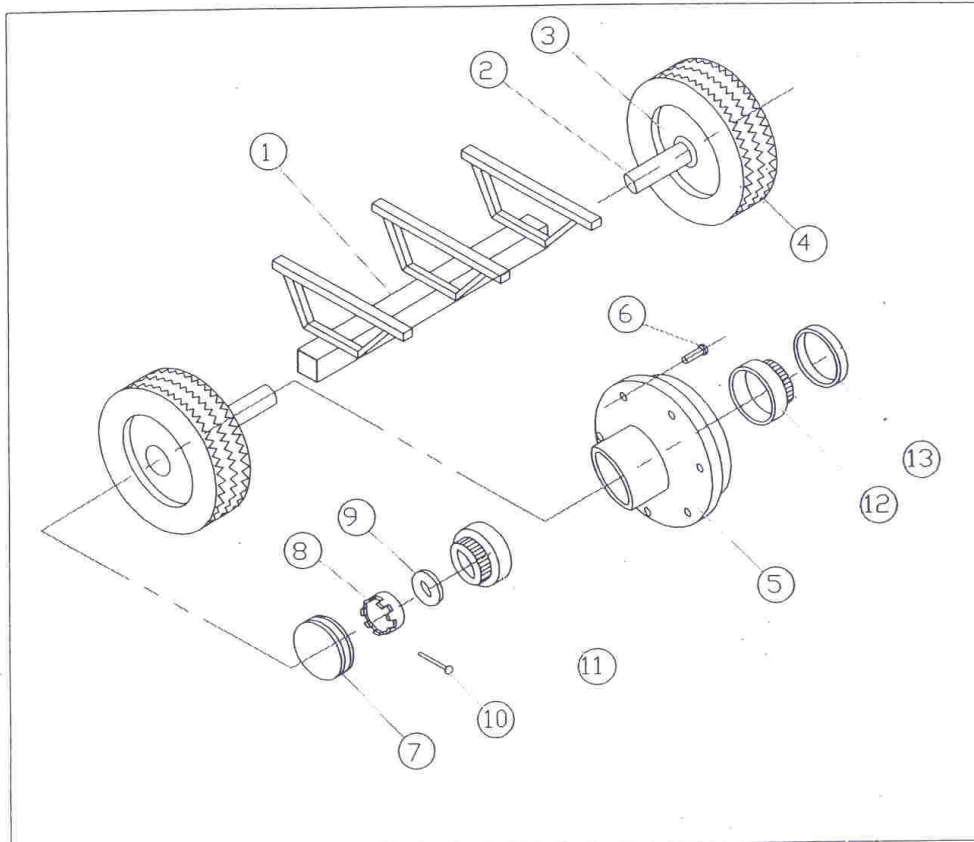
Figure 1

BAGGAGE TROLLEY

SATS

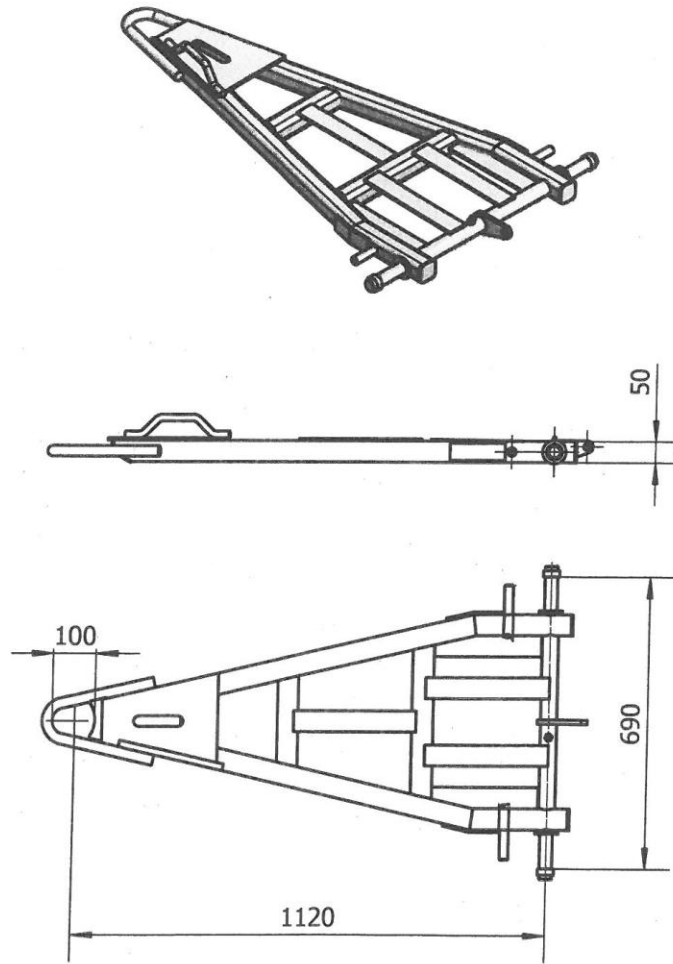
BAGGAGE TROLLEY

ANNEX B
FIGURE 1
PAGE 2 OF 2



13	COLLAR	2
12	INNER BEARING	2
11	OUTER BEARING	2
10	COTTER PIN	2
9	WASHER	2
8	CASTLE NUT	2
7	HUB CAP	2
6	WHEEL H/T BOLT	12
5	WHEEL HUB	2
4	SOLID TYRE 400 X 8	2
3	WHEEL RIM 300X 8	2
2	WHEEL SHAFT	1
1	REAR WHEEL BRACKET	1
ITEM	DESCRIPTION	QTY
WHEEL		

BT0705D-03-00



Item	Part Number	Tow bar Description	Qty	Remark
1	BT0705D-03-00	Tow bar	1	

Figure 2

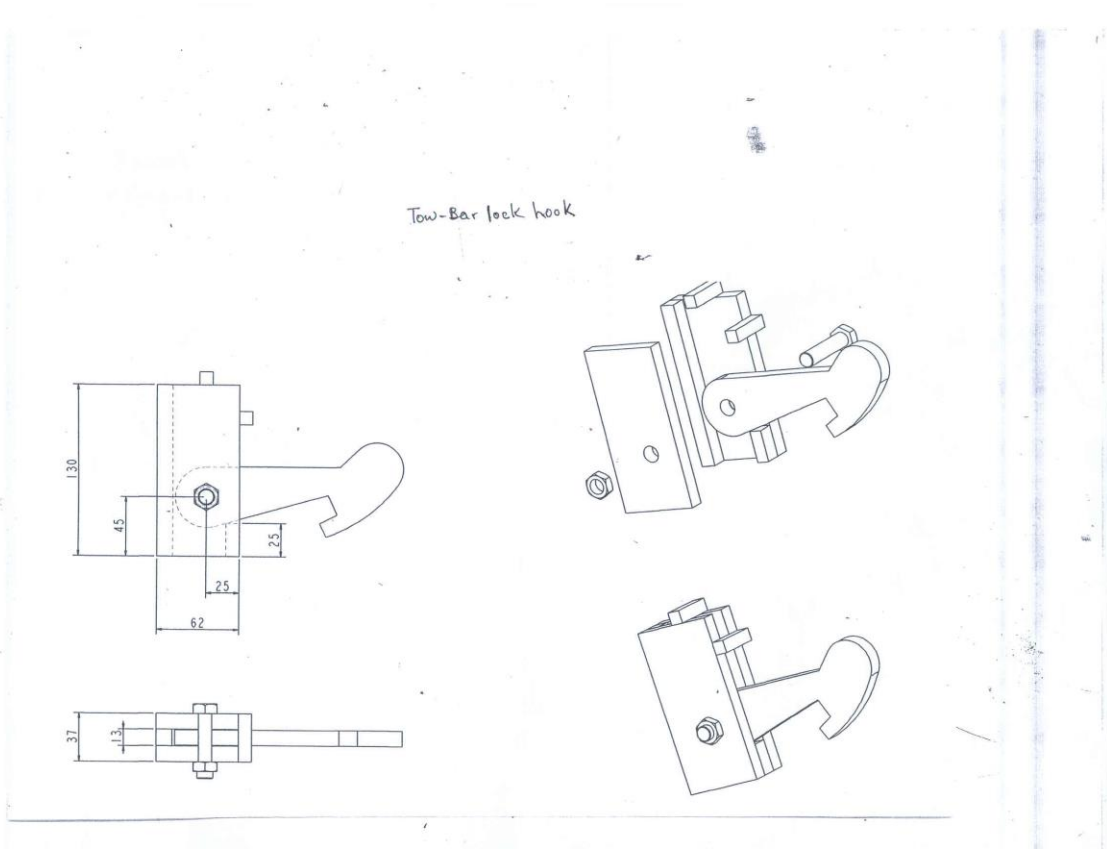


Figure 3

BAGGAGE TROLLEY

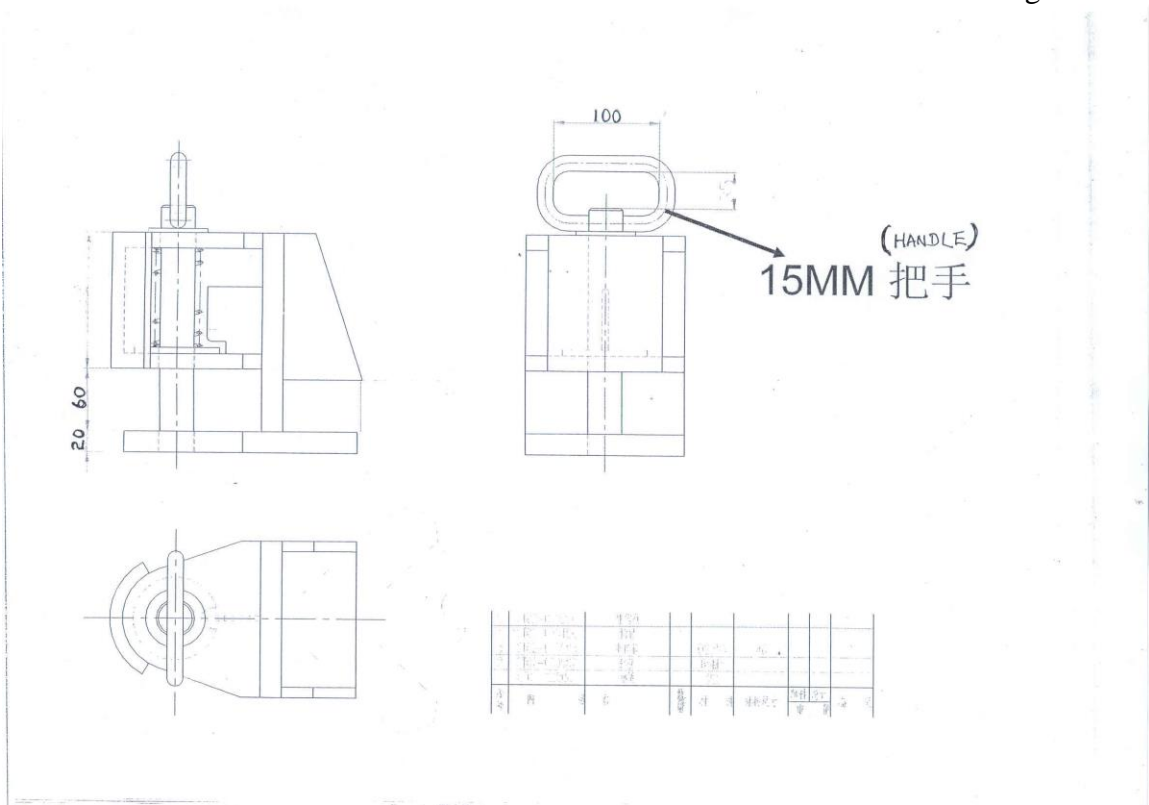


Figure 3

BAGGAGE TROLLEY

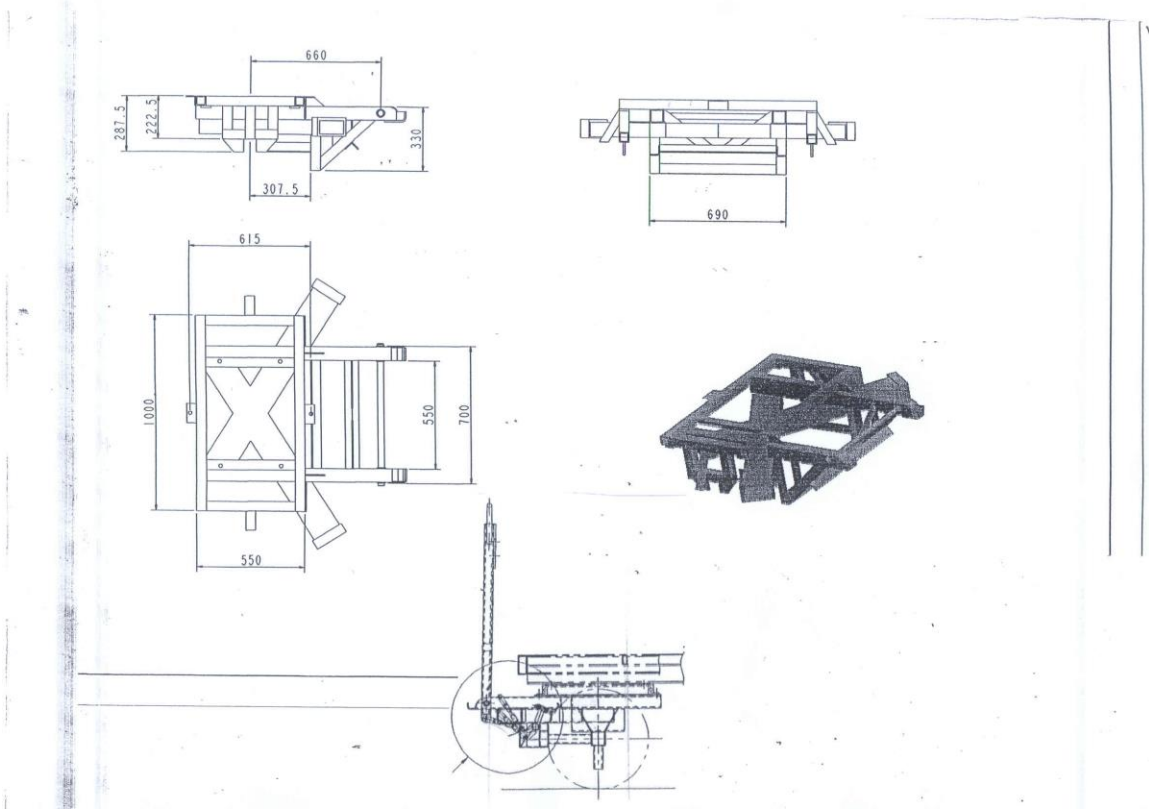


Figure 4

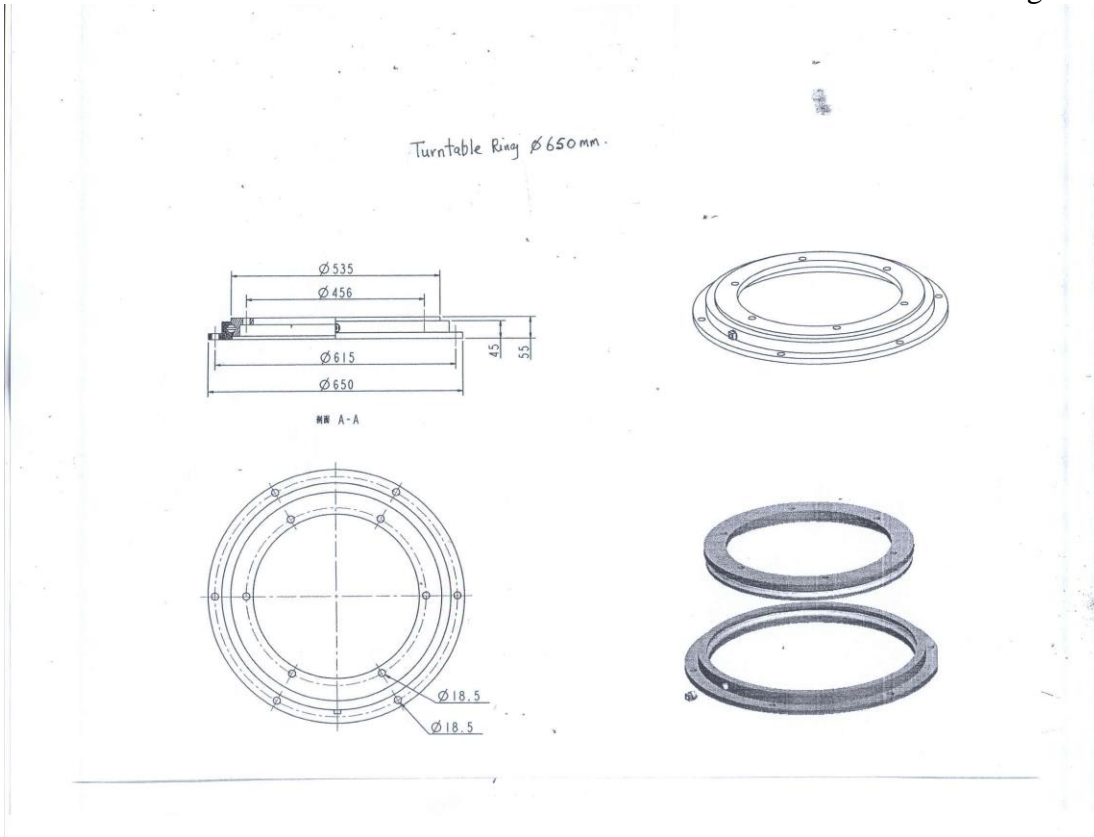


Figure 4

BAGGAGE TROLLEY

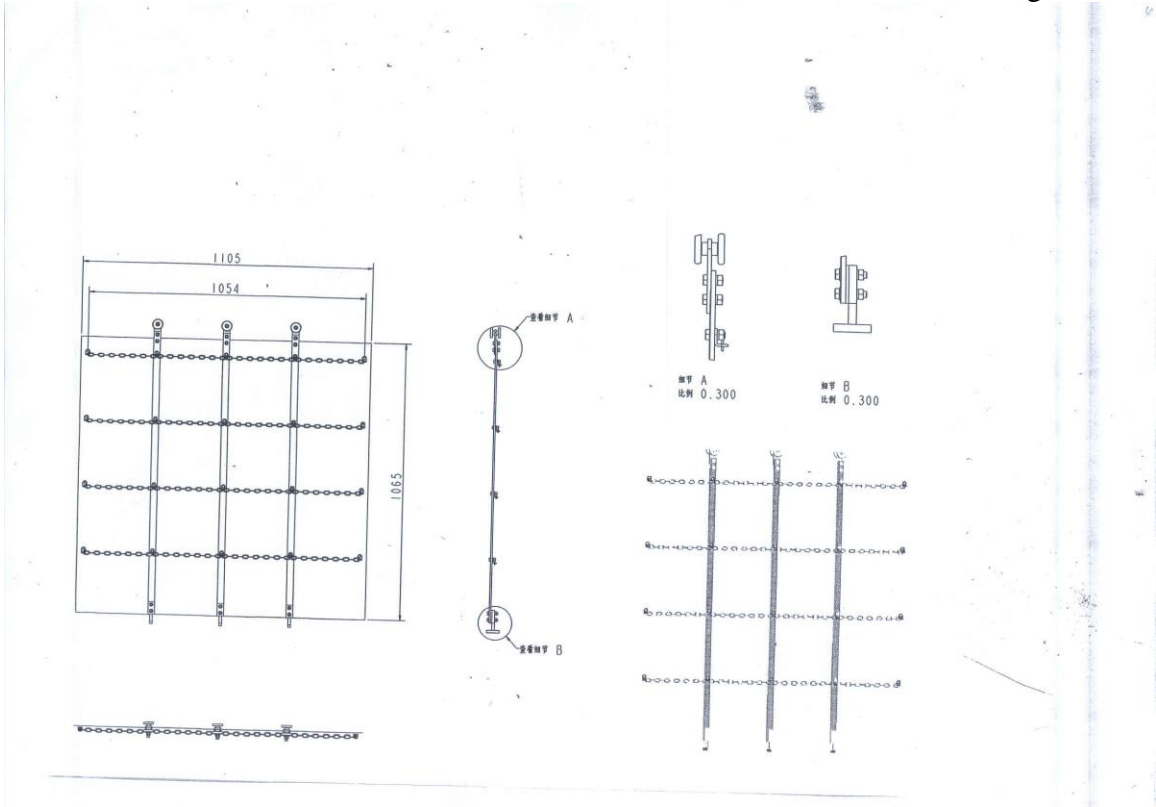


Figure 5

BAGGAGE TROLLEY

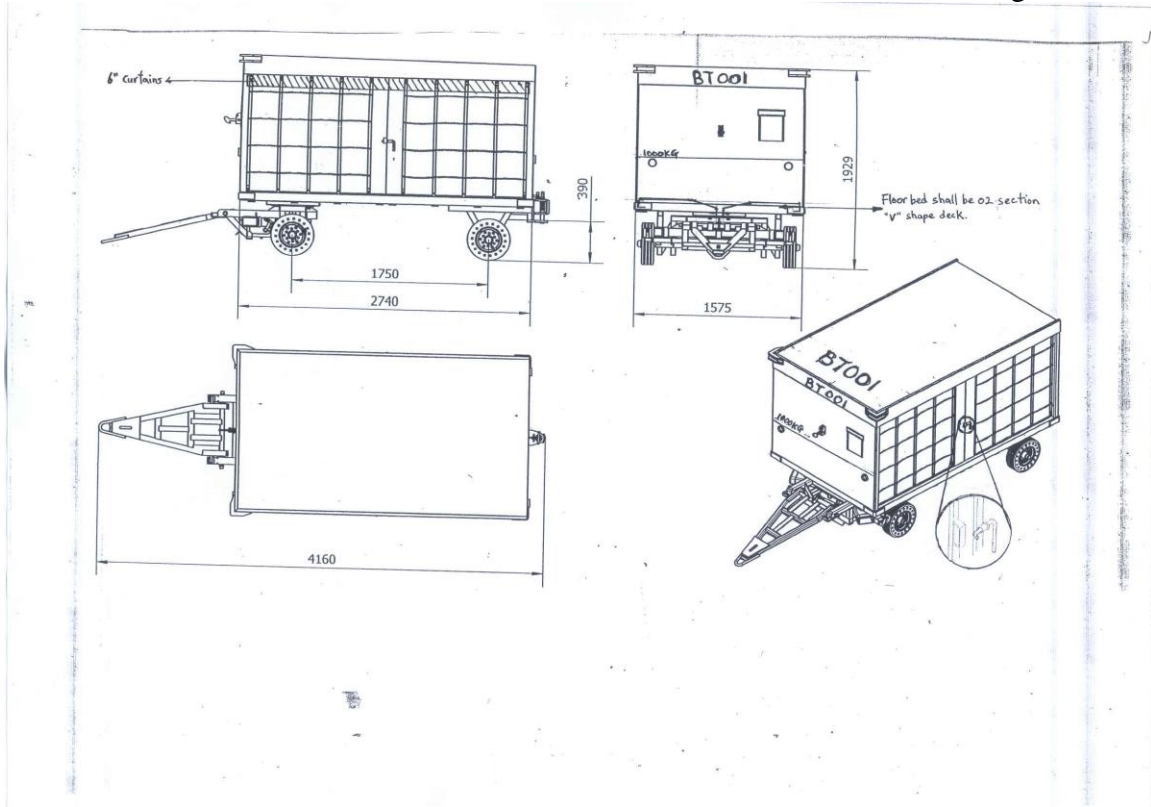
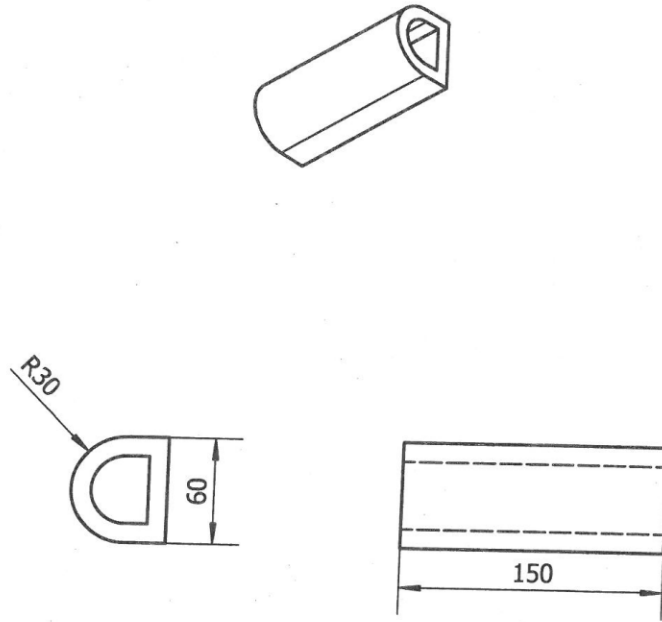


Figure 6

BT0705D-16-00



Bumper				
Item	Part Number	Description	Qty	Remark
1	BT0705D-16-00	Bumper	2	

Figure 7

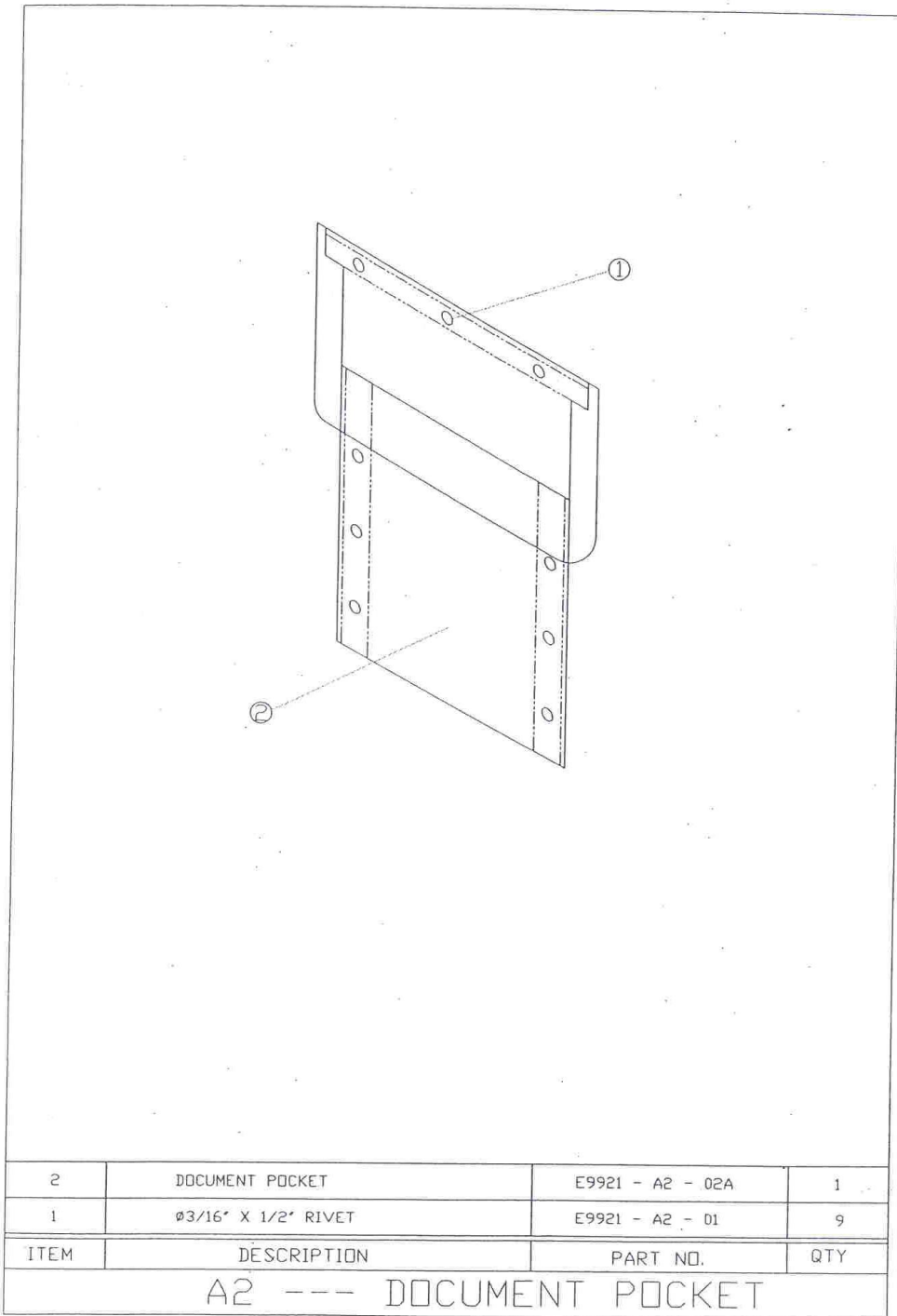


Figure 8