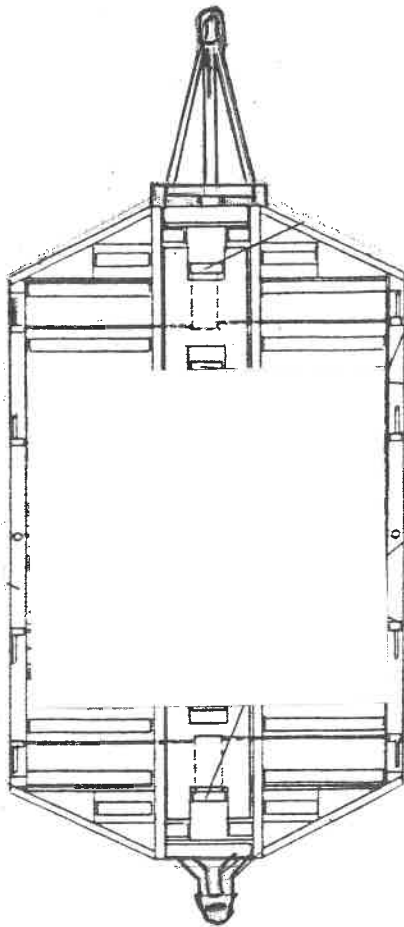
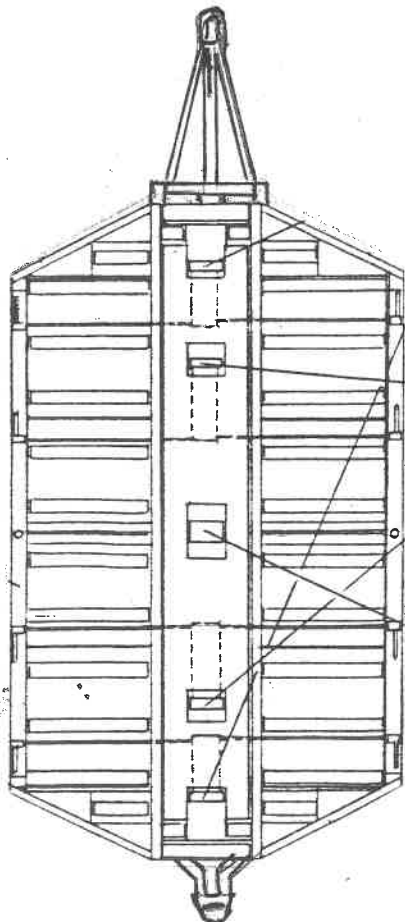
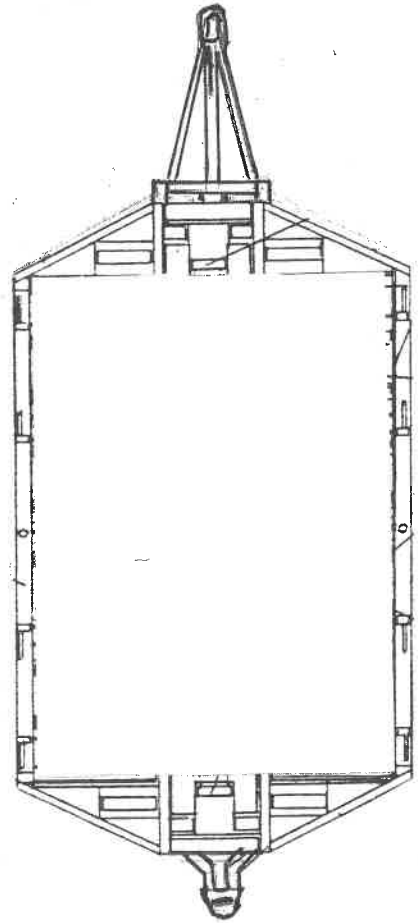


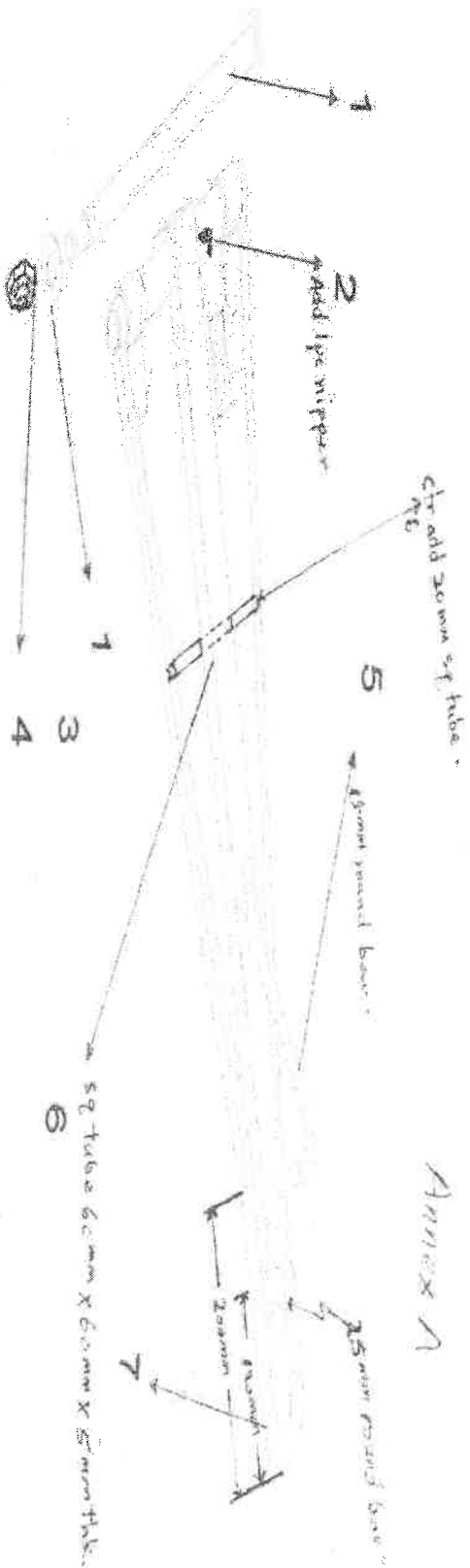
13/8/12

container: LD3



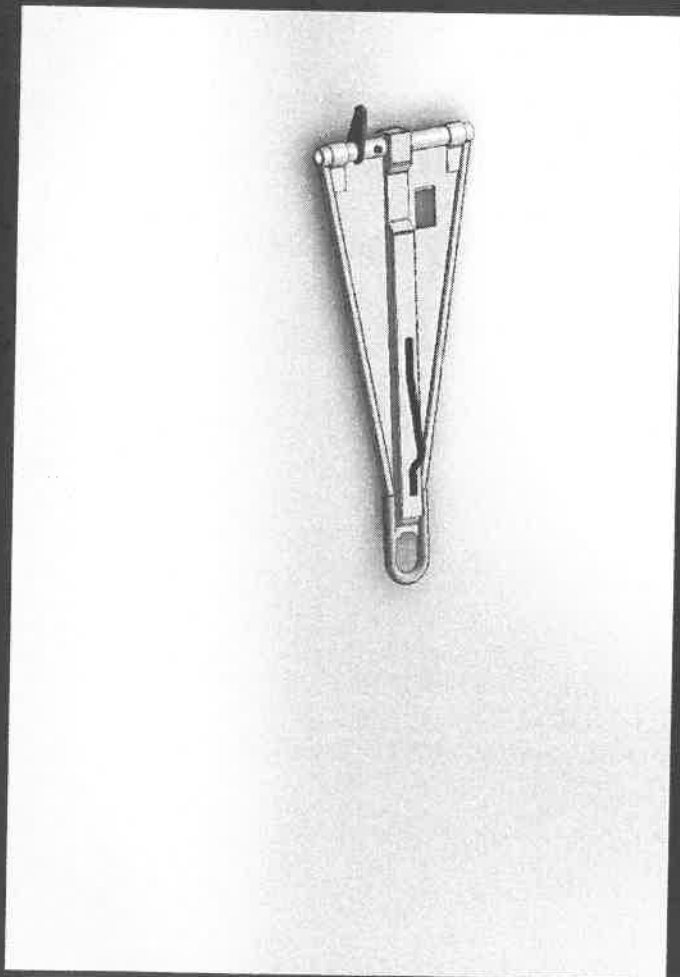
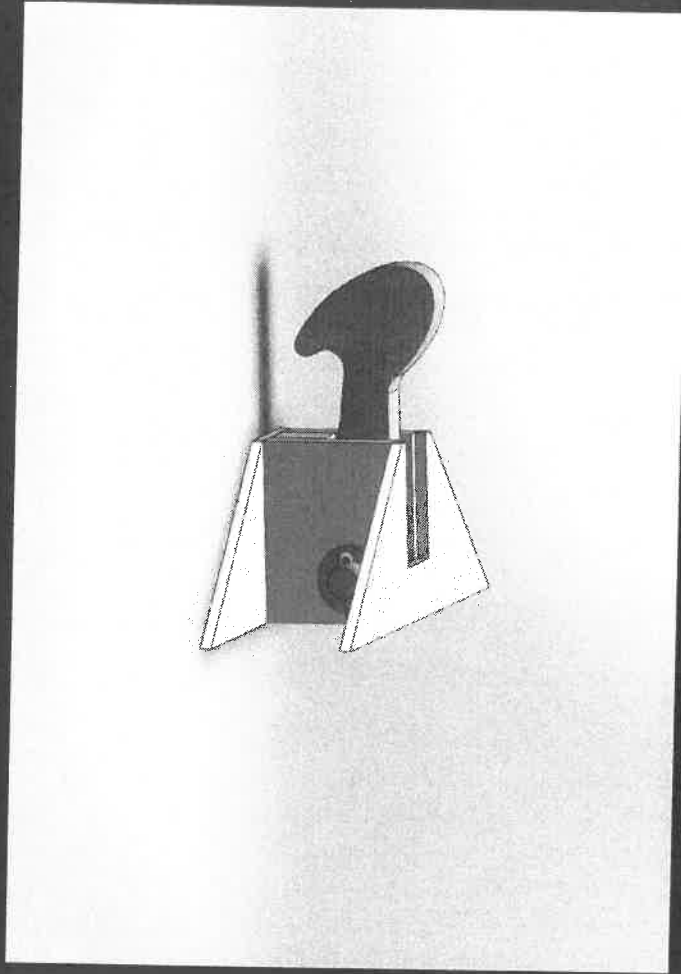
container: LD8



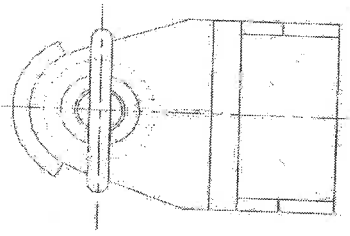
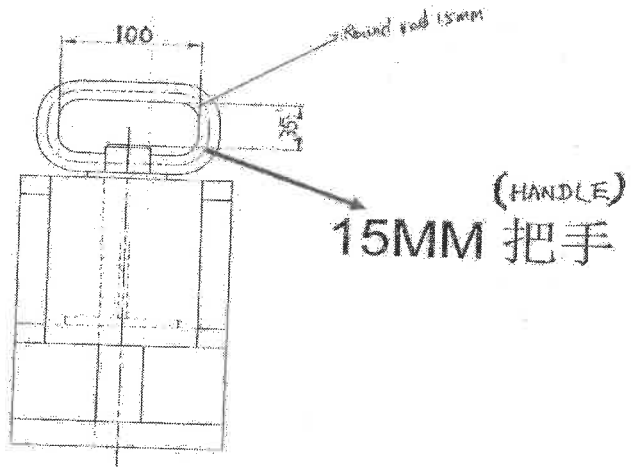
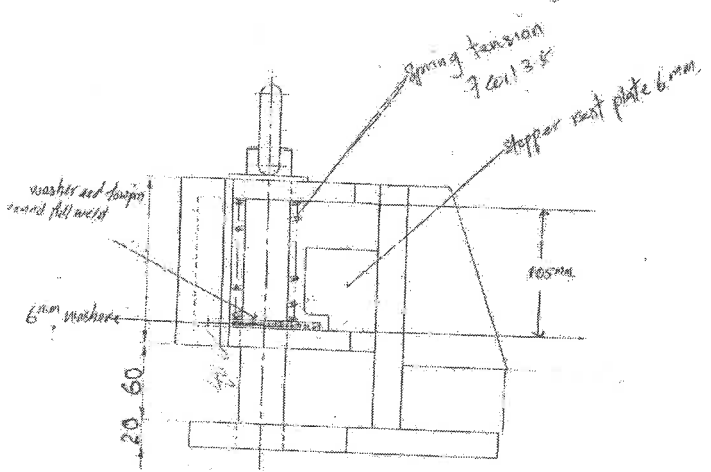


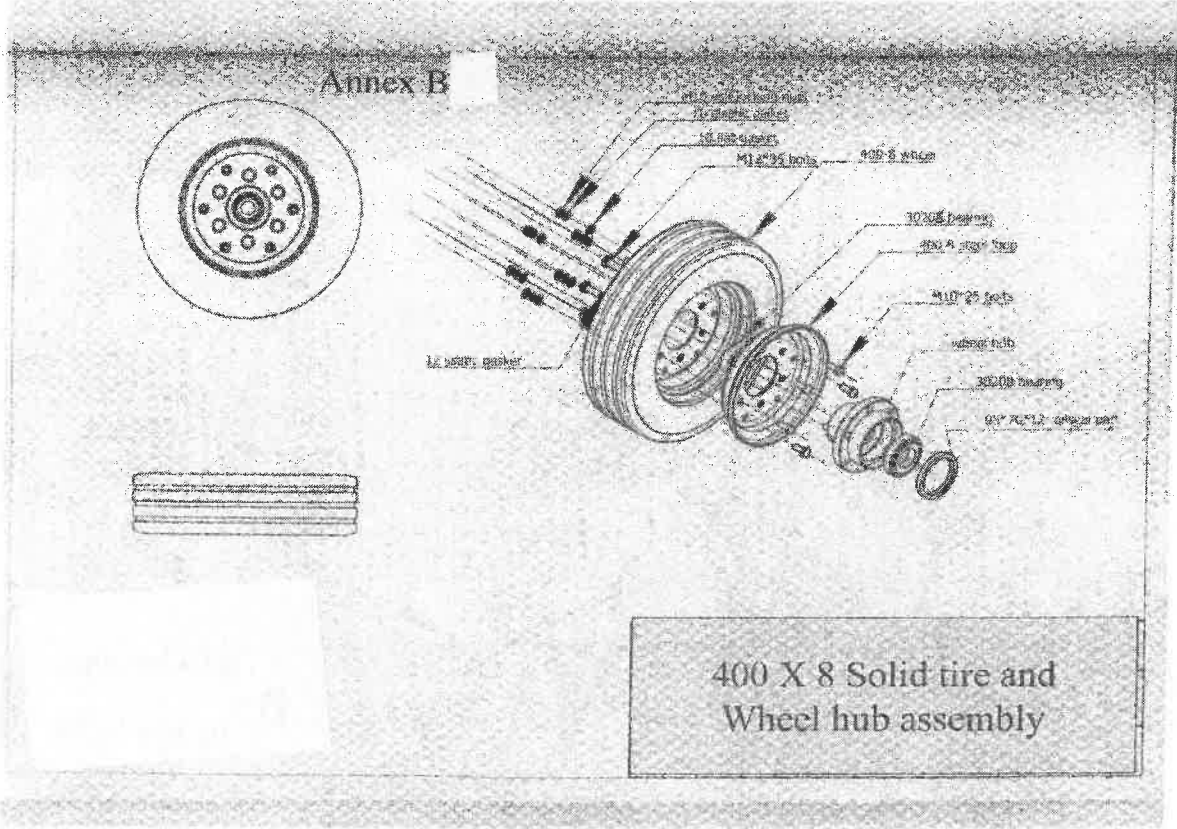
TOW BAR ASSEMBLY

Item	Description	Remark	Qty
1	Tow bar shaft	φ 32	1
2	Tow bar shaft bracket	φ 42 X 4.5MM	1
3	Washer	φ 50 1/4 φ 33 X 6MM M33	1
4	Castle nut	φ 15	1
5	Tow bar handle	20 mm sq tube	1
6	Tow Bar Assly	φ 20 25	1
7	Towing		1

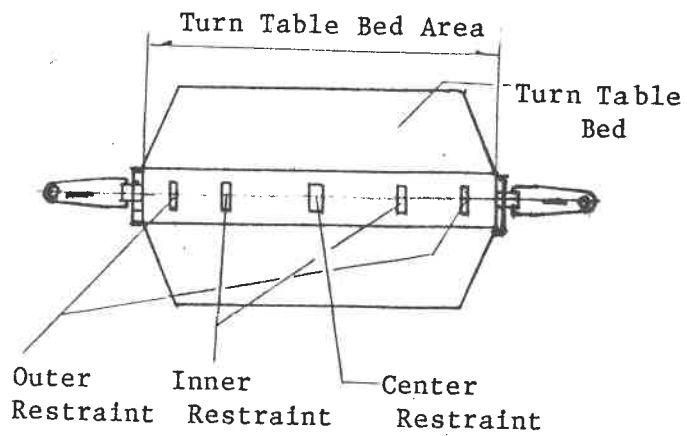
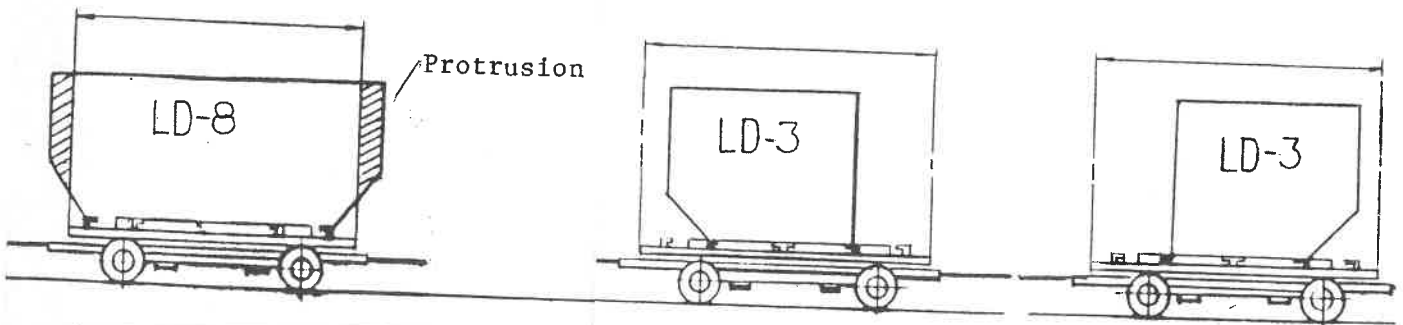
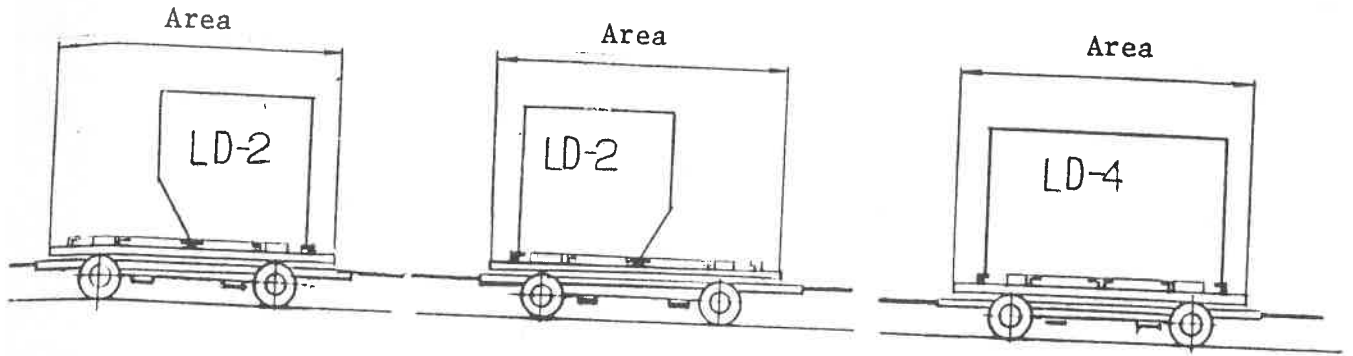


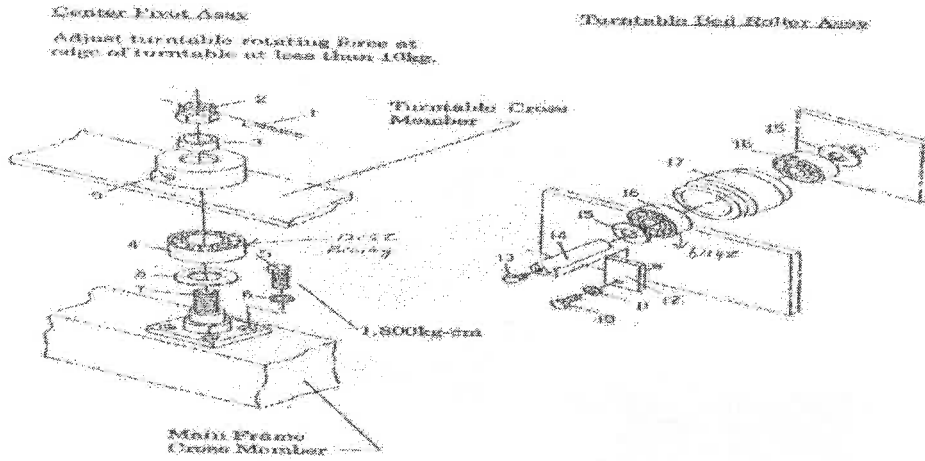
Annex A ✓



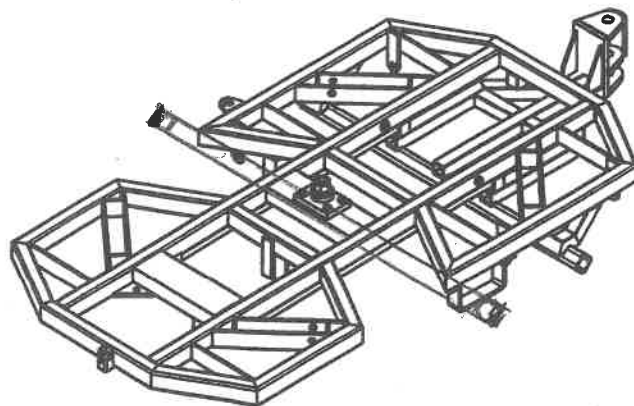
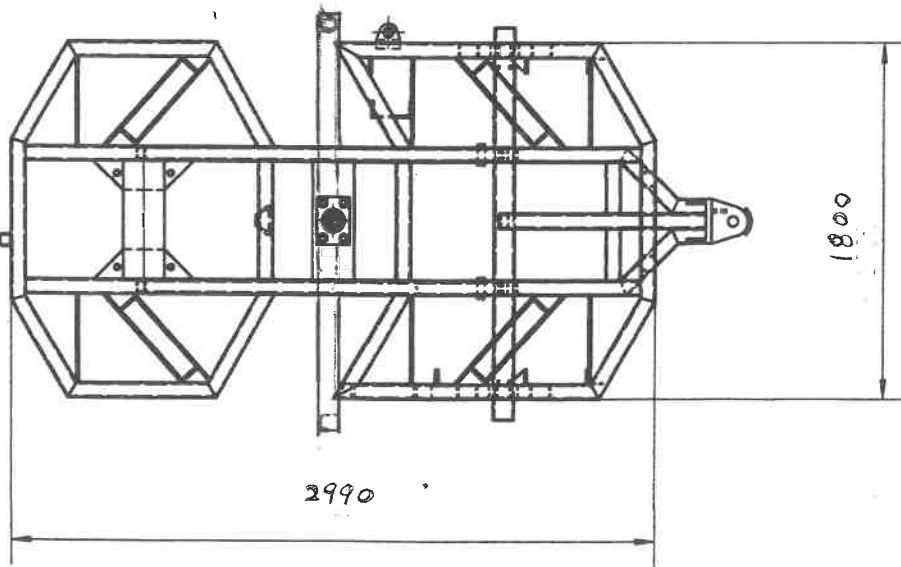
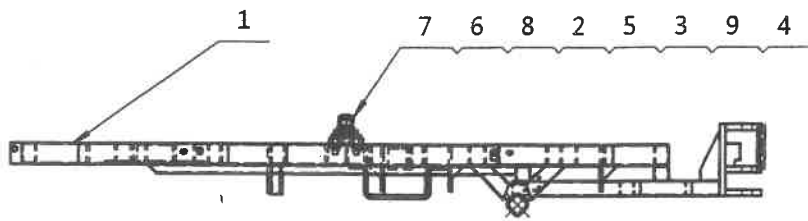


Loading arrangement for LD-2, LD-4 and LD-8 container. LD3

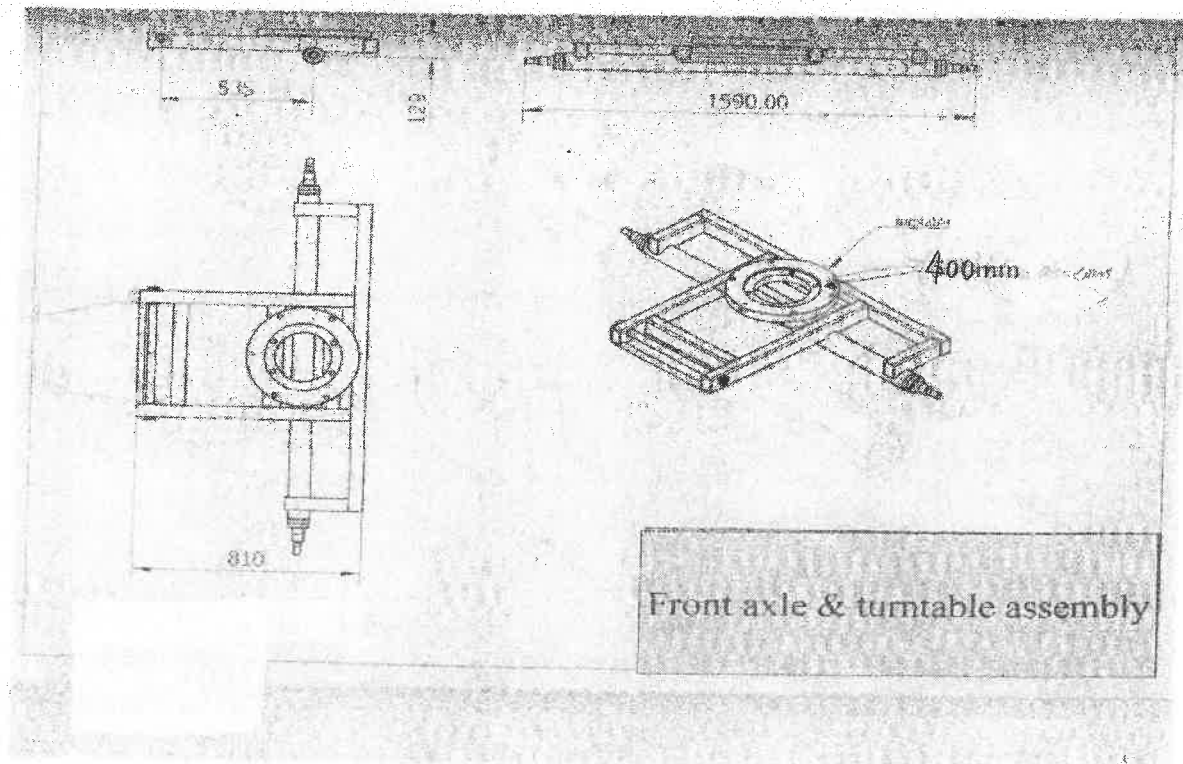




Center Pivot /
Turntable Rotating Roller



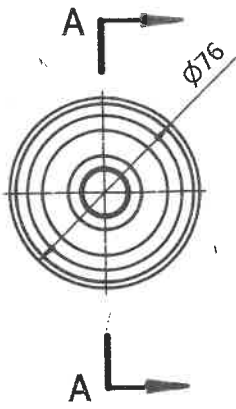
Annex B



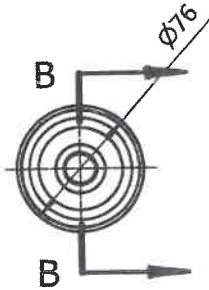
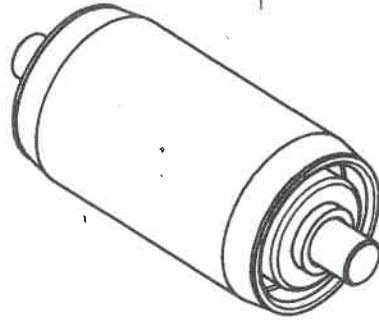
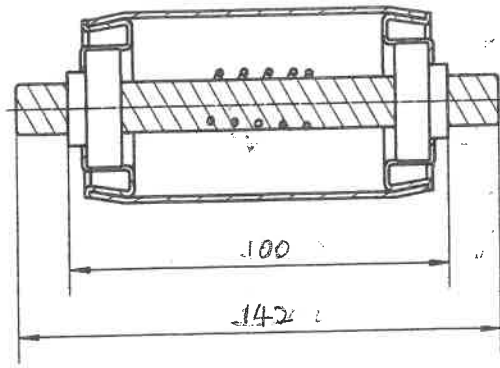
Roller

Slide 10 of 13

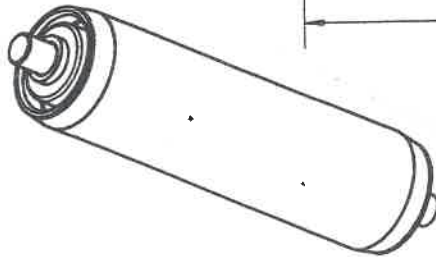
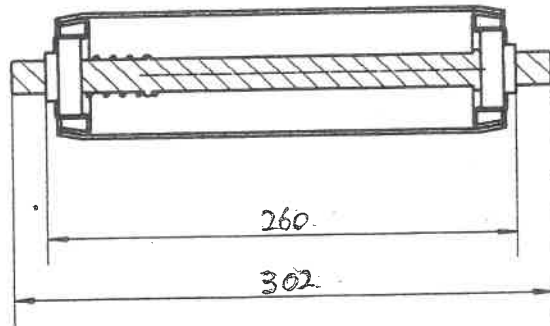
Annex C



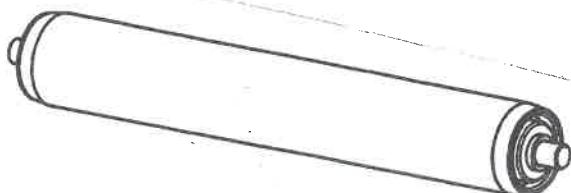
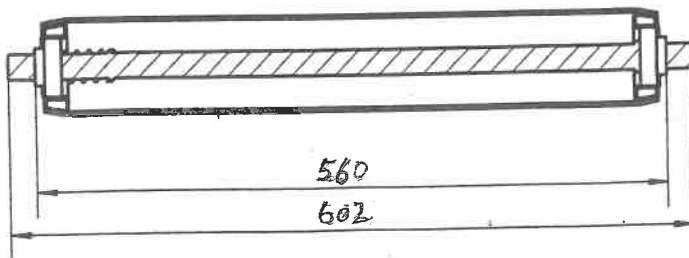
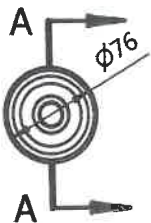
A-A
1:2



B-B
(1:3)

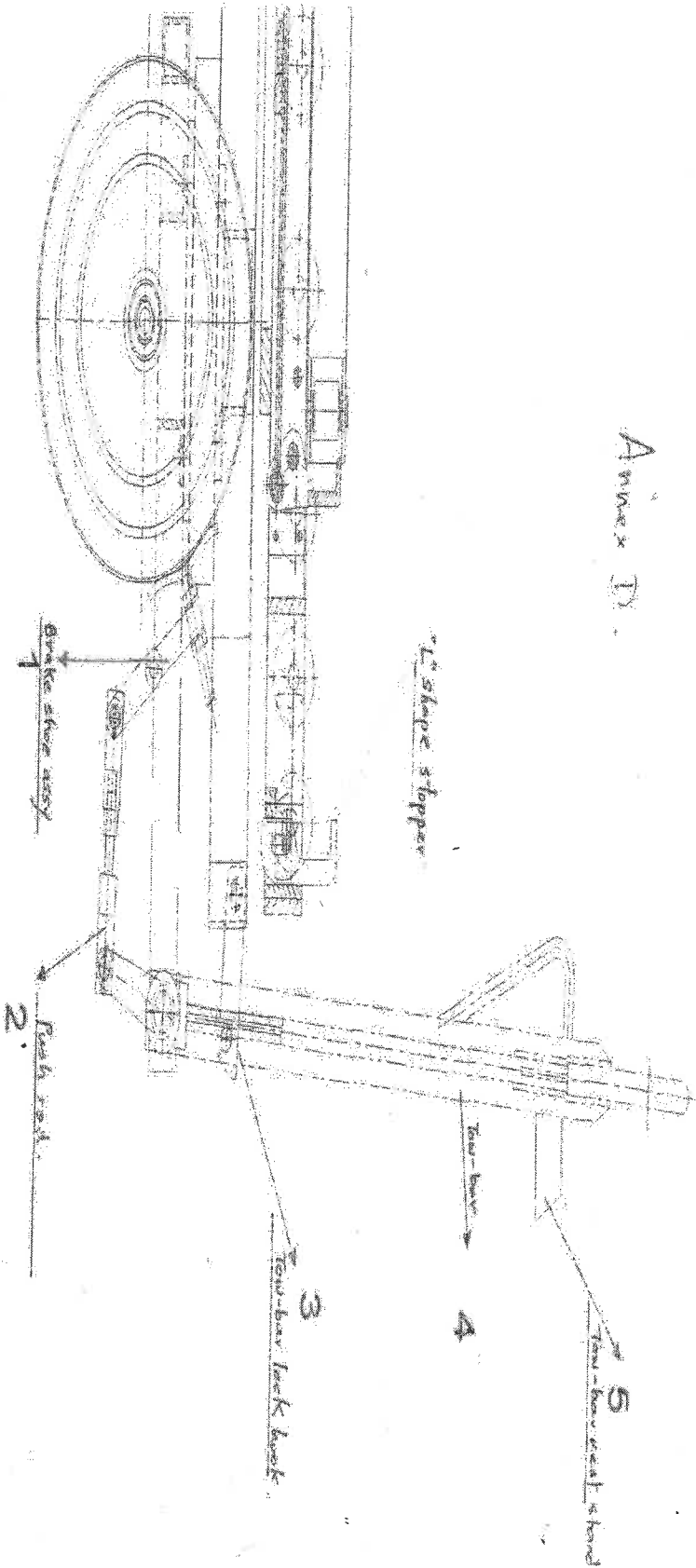


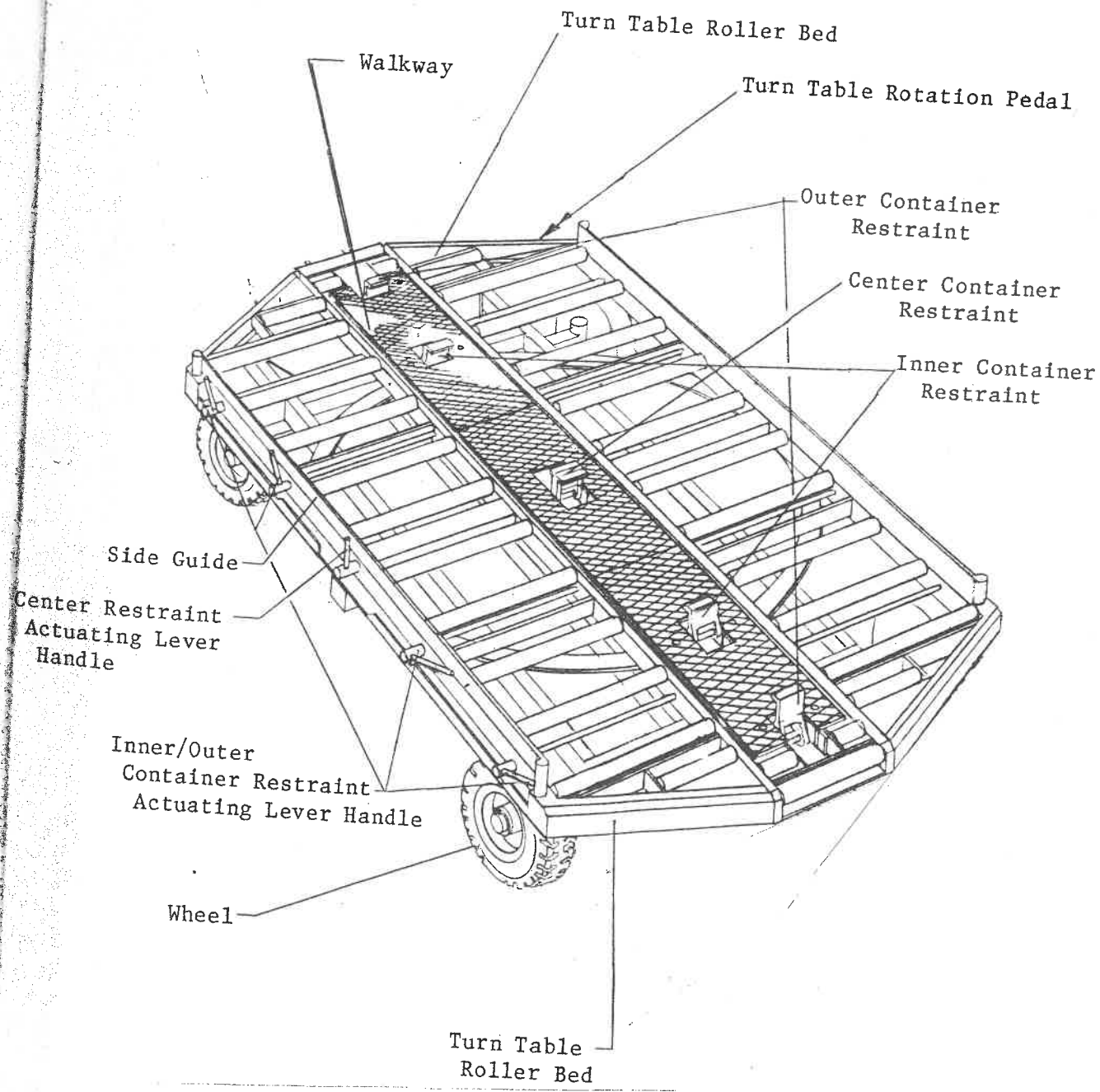
A-A
(1:4)

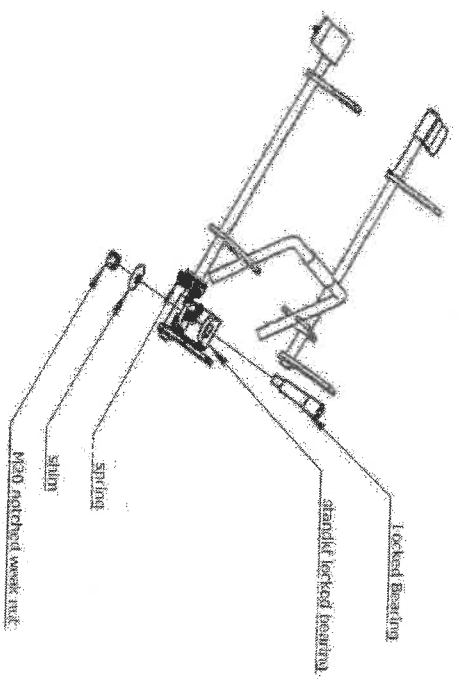
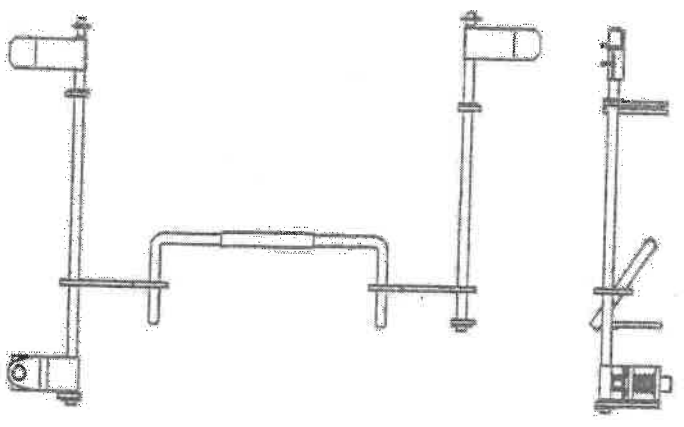


Annex D

Appendix C3
Slide 10 of 13







Annex C